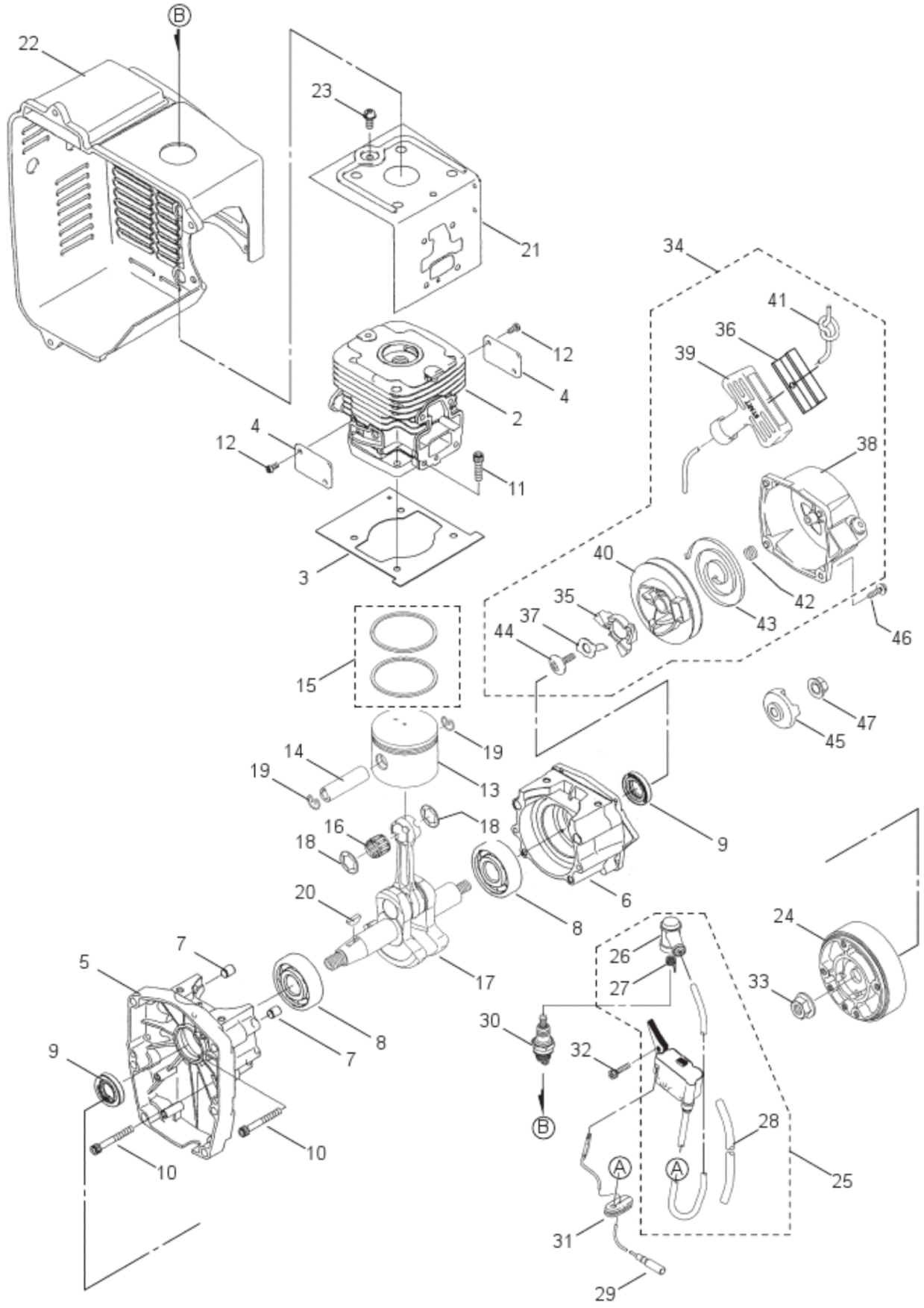


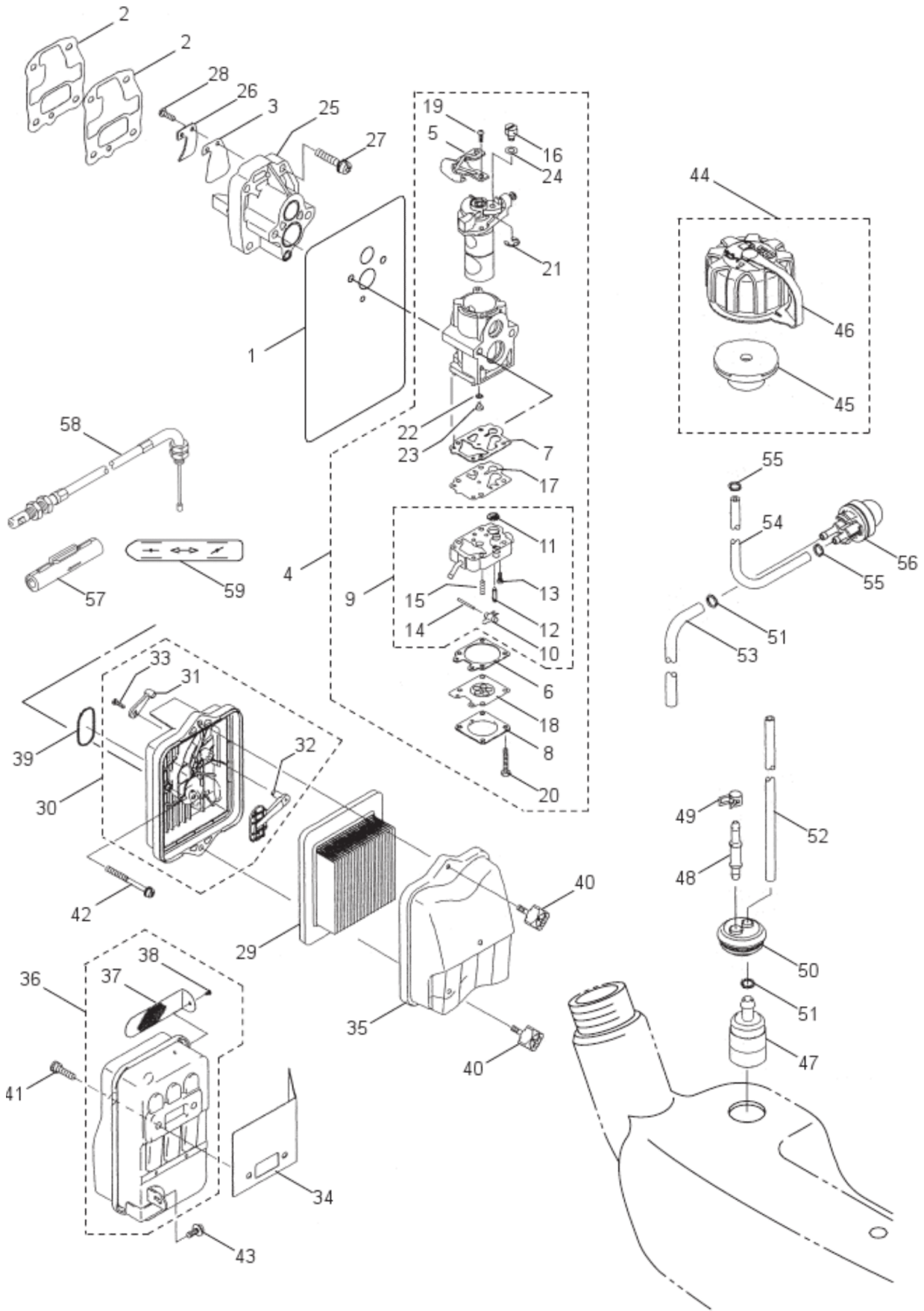


| | | | |
|----|--------|---------------------|----|
| 2 | 129624 | ENGINE | 1 |
| 3 | 128142 | BOLT | 6 |
| 4 | 125404 | GASKET | 1 |
| 5 | 127295 | SCREW | 3 |
| 6 | 125405 | FAN CASE E ASSY | 1 |
| 7 | 125410 | FAN CASE S ASSY | 1 |
| 8 | 119160 | COLLAR | 1 |
| 9 | 119161 | BAND | 1 |
| 10 | 129618 | TAPPING SCREW | 10 |
| 11 | 120615 | BUFFER | 2 |
| 12 | 128908 | FAN | 1 |
| 13 | 128910 | RING | 1 |
| 14 | 128911 | BOLT | 4 |
| 15 | 126327 | THROTTLE ASSY | 1 |
| 16 | 126729 | THROTTLE ASSY | 1 |
| 17 | 125756 | THROTTLE | 1 |
| 18 | 126734 | THROTTLE WIRE ASSY | 1 |
| 19 | 126733 | FERRITE CORE | 1 |
| 20 | 118811 | HOLDER ARM | 1 |
| 21 | 127297 | TAPPING SCREW M5X20 | 2 |
| 22 | 122609 | BAND | 1 |
| 23 | 122414 | HOLDER (A) | 1 |
| 24 | 122416 | HOLDER (B) | 1 |
| 25 | 127298 | NUT M6 | 1 |
| 26 | 127299 | KNOB BOLT M6X30 | 1 |
| 27 | 127305 | CLAMP | 1 |
| 28 | 126049 | CLAMP | 1 |
| 29 | 127300 | SCREW M5X18 | 1 |
| 30 | 125427 | BACK PACK FROM A | 1 |
| 31 | 125429 | BACK PACK FRAME B | 1 |
| 32 | 127301 | BOLT M6X20 | 4 |
| 33 | 127228 | NUT M6 | 4 |
| 34 | 125432 | BAND ASSY | 1 |
| 35 | 127728 | SCREEN | 1 |
| 36 | 127786 | SCREW | 2 |
| 37 | 101877 | BUFFER | 1 |
| 38 | 120616 | COLLAR | 1 |
| 39 | 120617 | WASHER | 1 |
| 40 | 127228 | NUT M6 | 3 |
| 41 | 119177 | PAD | 1 |
| 42 | 100749 | FASTENER | 4 |
| 43 | 127707 | FUEL TANK | 1 |
| 44 | 125561 | SCREW | 2 |
| 45 | 129721 | LABEL | 1 |
| 46 | 267144 | LABEL | 1 |
| 47 | 266959 | LABEL | 1 |
| 48 | 125940 | SEAL | 1 |
| 49 | 125747 | SEAL | 1 |
| 50 | 121132 | LABEL | 1 |



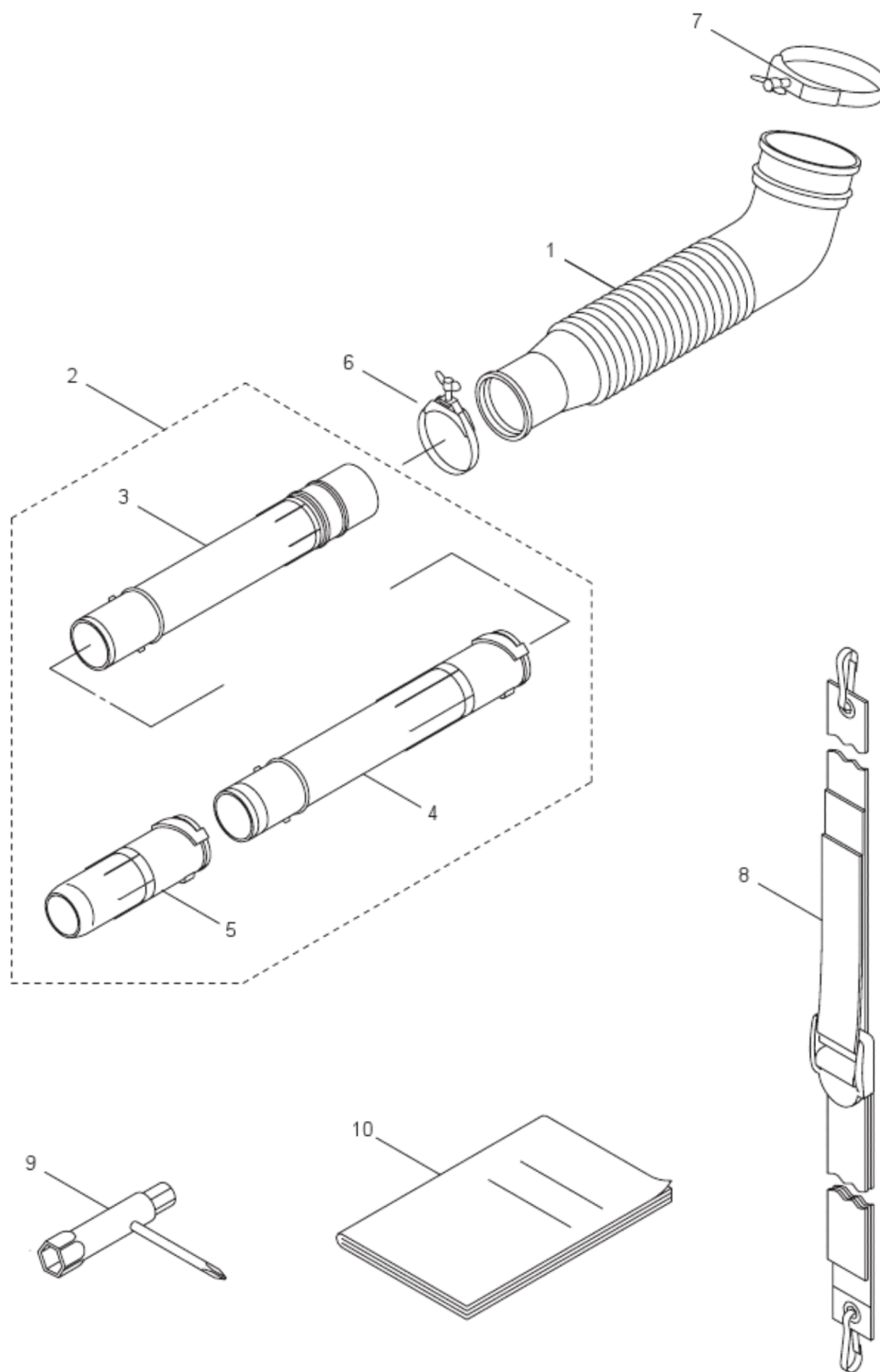


| | | | |
|----|--------|------------------|---|
| 2 | 649312 | CYLINDER | 1 |
| 3 | 415369 | GASKET, CYLINDER | 1 |
| 4 | 649314 | PLATE | 1 |
| 5 | 414427 | CRANKCASE | 2 |
| 6 | 414428 | CRANKCASE | 1 |
| 7 | 573908 | PIN | 2 |
| 8 | 649317 | BEARING | 2 |
| 9 | 414429 | OIL SEAL | 2 |
| 10 | 414431 | BOLT-SOCKET | 4 |
| 11 | 414430 | BOLT-SOCKET | 4 |
| 12 | 410897 | SCREW | 4 |
| 13 | 649321 | PISTON | 1 |
| 14 | 649322 | PISTON PIN | 1 |
| 15 | 649323 | PISTON RING SET | 1 |
| 16 | 649325 | NEEDLE BEARING | 1 |
| 17 | 414432 | CRANKSHAFT ASS'Y | 1 |
| 18 | 414433 | SPACER | 2 |
| 19 | 943307 | SNAP RING | 2 |
| 20 | 071695 | KEY | 1 |
| 21 | 649329 | SHROUD | 1 |
| 22 | 400923 | SHROUD | 1 |
| 23 | 415370 | SCREW | 1 |
| 24 | 414436 | FLYWHEEL | 1 |
| 25 | 415371 | COIL ASS'Y | 1 |
| 26 | 591532 | SPARK PLUG CAP | 1 |
| 27 | 591533 | SPRING | 1 |
| 28 | 998411 | TUBE | 1 |
| 29 | 649332 | LEAD WIRE | 1 |
| 30 | 649333 | PLUG | 1 |
| 31 | 649334 | GROMMET | 1 |
| 32 | 649335 | BOLT | 2 |
| 33 | 649336 | NUT | 1 |
| 34 | 400921 | RECOIL ASSY | 1 |
| 35 | 649370 | PAWL | 1 |
| 36 | 400919 | PLATE | 1 |
| 37 | 649371 | RETAINER | 1 |
| 38 | 649372 | RECOILE HOUSING | 1 |
| 39 | 400920 | GRIP | 1 |
| 40 | 649376 | RECOIL REEL | 1 |
| 41 | 649377 | ROPE | 1 |
| 42 | 649378 | SPRING | 1 |
| 43 | 400922 | SPRING | 1 |
| 44 | 649380 | SCREW | 1 |
| 45 | 649374 | STARTING PULLEY | 1 |
| 46 | 624845 | SCREW | 4 |
| 47 | 649381 | NUT | 1 |





| | | | |
|----|--------|---------------------|---|
| 1 | 412446 | GASKET | 1 |
| 2 | 400925 | GASKET | 2 |
| 3 | 649342 | VALVE | 1 |
| 4 | 649344 | CARB ASSAY | 1 |
| 5 | 649338 | BRACKET | 1 |
| 6 | 649339 | GASKET | 1 |
| 7 | 634350 | GASKET | 1 |
| 8 | 649343 | COVER | 1 |
| 9 | 649346 | BODY | 1 |
| 10 | 624429 | LEVER | 1 |
| 11 | 624430 | FILTER | 1 |
| 12 | 624431 | FLOAT VALVE | 1 |
| 13 | 624432 | SCREW | 1 |
| 14 | 624433 | PIN | 1 |
| 15 | 624434 | SPRING | 1 |
| 16 | 598415 | ARM | 1 |
| 17 | 577185 | PUMP DIAPHRAGM | 1 |
| 18 | 634357 | DIAPHRAGM | 1 |
| 19 | 577179 | SCREW | 2 |
| 20 | 649348 | SCREW | 4 |
| 21 | 577175 | SNAP RING | 1 |
| 22 | 577182 | O-RING | 1 |
| 23 | 649349 | MAIN JET | 1 |
| 24 | 624532 | WASHER | 1 |
| 25 | 400926 | INSULATOR | 1 |
| 26 | 649347 | STOPPER | 1 |
| 27 | 577361 | SCREW | 1 |
| 28 | 649350 | SCREW | 1 |
| 29 | 649351 | AIR FILTER ELEMENT | 1 |
| 30 | 415372 | AIR FILTER ASS'Y | 1 |
| 31 | 649355 | LEVER | 1 |
| 32 | 649356 | VALVE | 1 |
| 33 | 649358 | SCREW | 1 |
| 34 | 649353 | CYLINDER GASKET | 1 |
| 35 | 649354 | AIR FILTER COVER | 1 |
| 36 | 415373 | MUFFLER ASS'Y | 1 |
| 37 | 400927 | SPARK ARRESTER | 1 |
| 38 | 400918 | SCREW | 1 |
| 39 | 649359 | O-RING | 1 |
| 40 | 649360 | BOLT | 2 |
| 41 | 414450 | BOLT SOCKET | 2 |
| 42 | 414451 | SCREW | 2 |
| 43 | 414452 | SCREW | 1 |
| 44 | 414453 | FUEL TANK CAP ASS'Y | 1 |
| 45 | 649362 | BREATHER | 1 |
| 46 | 649364 | TANK CAP ASSY | 1 |
| 47 | 625872 | FILTER FUEL | 1 |
| 48 | 632199 | JOINT | 1 |
| 49 | 944177 | CLAMP | 1 |
| 50 | 597949 | FUEL FILTER | 1 |
| 51 | 649366 | CLAMP | 2 |
| 52 | 649369 | TUBE3X5X305 | 1 |
| 53 | 415375 | TUBE | 1 |
| 54 | 649368 | TUBE2.3X5X93 | 1 |
| 55 | 649365 | CLAMP | 2 |
| 56 | 415374 | PRIMING PUMP | 1 |
| 57 | 212250 | CONNECTER | 1 |
| 58 | 649337 | THROTTLE CABLE | 1 |
| 59 | 598438 | LABEL | 1 |





| | | | |
|----|--------|--------------------|---|
| 1 | 123413 | FLEXIBLE PIPE | 1 |
| 2 | 125145 | PIPE ASSY | 1 |
| 3 | 122395 | SWIVEL PIPE | 1 |
| 4 | 122400 | STRAIGHT PIPE | 1 |
| 5 | 125146 | CONE PIPE | 1 |
| 6 | 128188 | CLAMP ASS'Y | 1 |
| 7 | 128189 | CLAMP ASS'Y | 1 |
| 8 | 125439 | HIP BELT ASSY | 1 |
| 9 | 127099 | BOX SPANNER | 1 |
| 10 | 125942 | INSTRUCTION MANUEL | 1 |